



**Control Tak**

شرکت فنی مهندسی کنترل تک پیشرو در صنعت ابزار دقیق

Tel: 021- 66479486

## CIM 70B

FULLWAY GATE VALVE STANDARD TYPE - PN 20

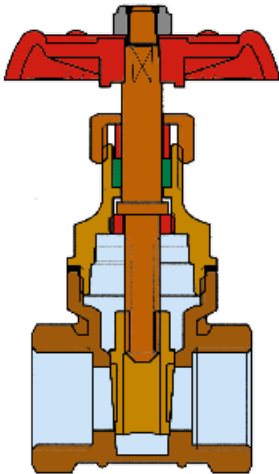
valve  
**cimberio**



### SERVICE RECOMMENDATIONS:

The CIM 70B gate valve is manufactured in accordance with BS 5154/B - PN 20 and EN ISO 9002 and can be used in a wide range of plants, in any industrial and agricultural application: heating plants, sanitary systems, plumbing services, waterworks, steam, gasoline networks, petroleum and other hydrocarbons.

### CROSS SECTION



BODY :	1/4-4" HOT FORGED BRASS EN12165 CW 617N
BODY :	5"-6" CAST IN BROZE UNI 7013-8°-ISO 1338
BONNET :	HOT FORGED BRASS EN12165 CW 617N
STEM :	MACHINED FROM DRAWN BRASS BAR EN12164 CW 614N
WEDGE :	1/4-4" :HOT FORGED BRASS EN12165 CW 617N
WEDGE :	5"-6" CAST IN BROZE UNI 7013-8°-ISO 1338
STEM RING :	MACHINED FROM DRAWN BRASS BAR EN12164 CW 614N
PACKING :	NA 1030 Gr
GLAND NUT :	MACHINED FROM DRAWN BRASS BAR EN12164 CW 614N
GLAND PACKING :	AF 15/MA
GLAND :	MACHINED FROM DRAWN BRASS BAR EN12164 CW 614N
NUT :	SELF LOCKING TYPE
HANDWHEEL :	ALUMINIUM ALLOY AL/SI 12

Controltak@Gmail.com

WWW.CONTROLTAK.COM

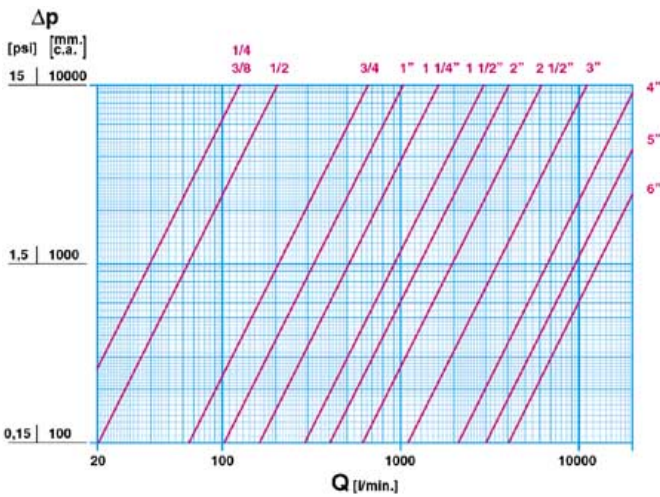
@ControlTak تلگرام

اینستاگرام Control-Tak

02166479486

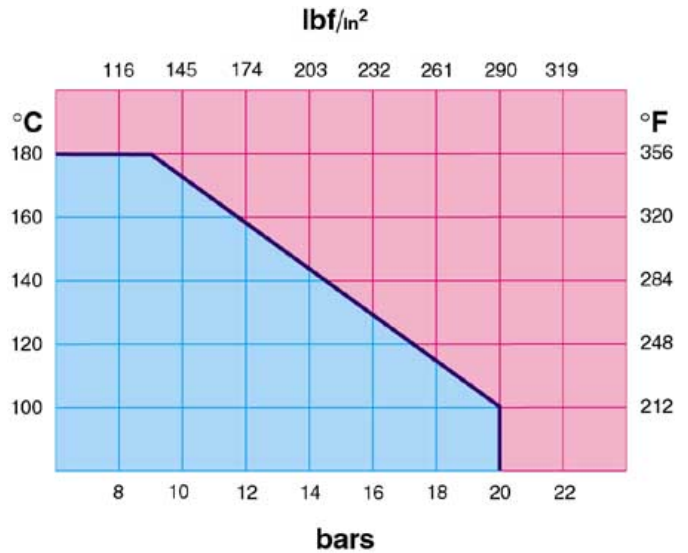
تماس : 09190345384

## FLOW AND PRESSURE DROP



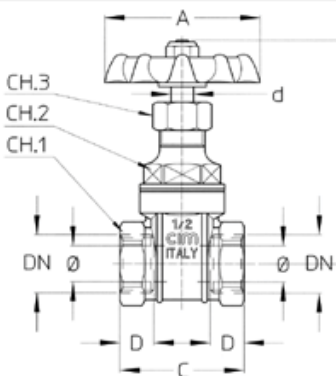
Flow and pressure drop  
 1 l/min = 0,06 m<sup>3</sup>/h  
 1 m<sup>3</sup>/h = 16,67 l/min

## PRESSURE TEMPERATURE RATINGS



Pressure / temperature ratings  
 1 bar = 14,5 p.s.i.  
 $^{\circ}\text{C} = 5/9 (^{\circ}\text{F} - 32)$   
 $^{\circ}\text{F} = 32 + 9/5 ^{\circ}\text{C}$

## TECHNICAL DRAWING



DN	1/4	3/8	1/2	3/4	1"	1 1/4"	1 1/2"	2"	2 1/2"	3"	4"	5"	6"
Ø mm.	12	12	14	20	25	33	37	47	59	70	94	118	140
Grms.	190	180	245	375	500	750	990	1450	2440	3500	6050	10100	14050
A	50	50	55	60	65	75	80	90	110	120	140	175	175
B	71	71	80	95	101	120	135	150	185	205	260	330	385
C	40	40	44	48	54	60	64	72	80	85	97	112	120
D	11	11	12	14	15	17	17	21	21	22	23	28	29
CH1	23	23	27	34	40	50	56	69	85	102	127	155	180
CH2	20	20	24	30	32	32	39	47	55	66	84	114	134
CH3	17	17	18	18	18	21	23	25	30	30	37	45	49
d	7	7	8	8	8	10	10	12	13	14	17	19	21

Connection : ISO 228  
 On request : ANSI B.1.20.1 (NPT)

## TECHNICAL CHARACTERISTICS

### KV

DN	1/4	3/8	1/2	3/4	1"	1 1/4"	1 1/2"	2"	2 1/2"	3"	4"
Ø mm.	12	12	13	19	25	32	39	50	64	77	102
KV	7	7	10	36	61	90	189	276	450	786	1476

KV = Capacity in m<sup>3</sup>/h at pressure drop of 1 bar

CS = Starting torque in Nm.

Controltak@Gmail.com

WWW.CONTROLTAK.COM

@ControlTak تلگرام

Control-Tak اینستاگرام

02166479486

09190345384 : تماس